

TRITEC

ENERGY FOR
A BETTER WORLD

TRI-STAND

The perfect mounting solution
for PV systems on trapezoidal
sheet metal.

- simple
- quickly
- efficient

The main advantages:

- Floating rooftop system, therefore no thermal separation necessary
- Simple, fast and efficient in the installation
- Considerable time and thus cost saving
- Optimum load distribution and stability
- Suitable for all common framed solar modules

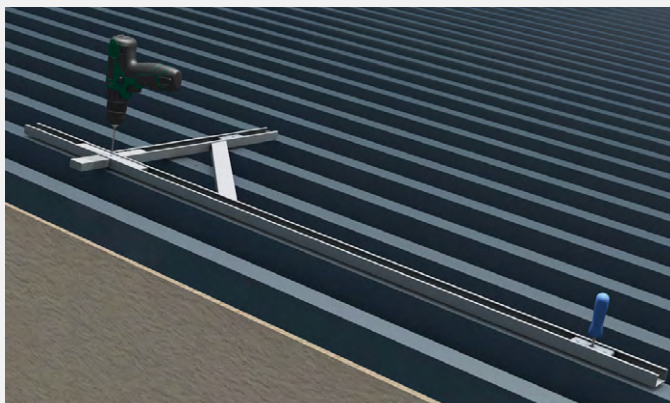
www.tritec-energy.com

TRI-STAND

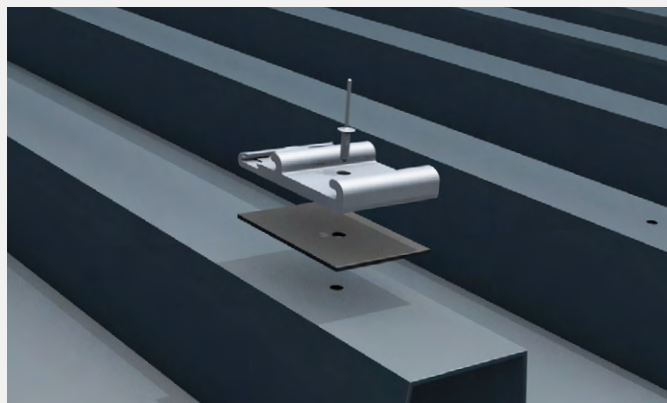
Extremely fast assembly
with few components

TRITEC

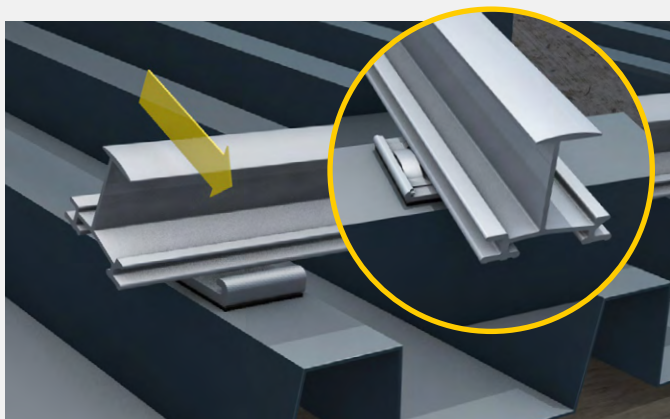
This way you easily increase your efficiency:



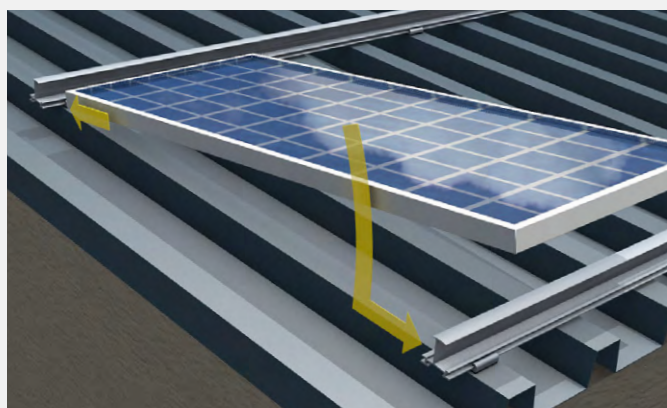
Few components and short working time. In just a few steps TRI-STAND is mounted on the trapezoidal sheet metal.



The proven SafeClick is mounted directly onto the trapezoidal sheet metal by rivet, whereby considerably fewer fastening points become necessary.



The insertion profiles are clicked into the SafeClick. They are therefore floating with the roof so damage to the roof and module can be avoided by thermal expansion.



The modules are inserted time-saving into the profiles, an additional fastening of the modules is omitted completely.

The optimal mounting solution for every roof

TRITEC mounting systems combine over 30 years of photovoltaic experience. The own products TRI-STAND and TRI-ROOF+ offer the ideal mounting solution for a wide range of roof types and alignments. We attach great importance to the high-quality processing of the components as well as to the durability of the substructure.

Further information and the download of the assembly instructions you will find on our homepage www.tritec-energy.com.

Or just talk to us directly. Our experts are at your disposal to answer all your questions.

TRIENERGY Schweiz AG

Im Klosteracker 35, CH – 4103 Bottmingen

P +41 61 264 00 20

E info@tritec-energy.com

W www.tritec-energy.com