

TRI-STAND

Optimum installation solution for solar systems on trapezoidal sheet.

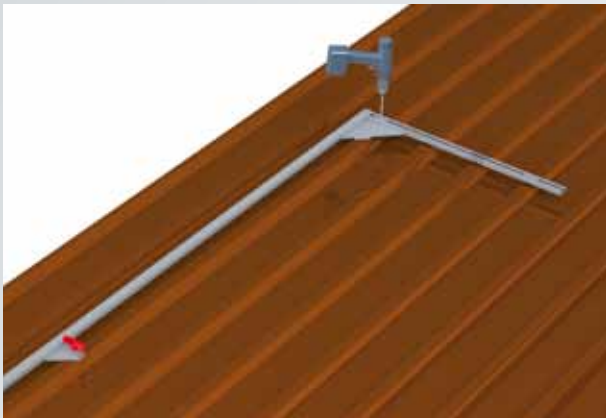
New application for reliable mounting system.

The TRI-STAND insertion system can also be used for the installation on trapezoidal sheet roofs. Thus, the advantages can be used for all pitched roofs: fast installation, optimum load distribution and stability.

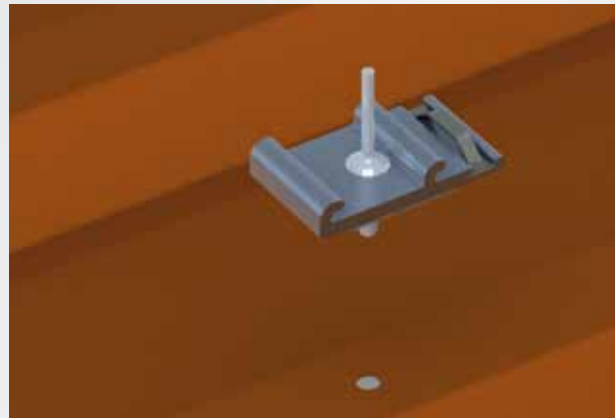
That's how efficiency is easily increased.

TRI-STAND

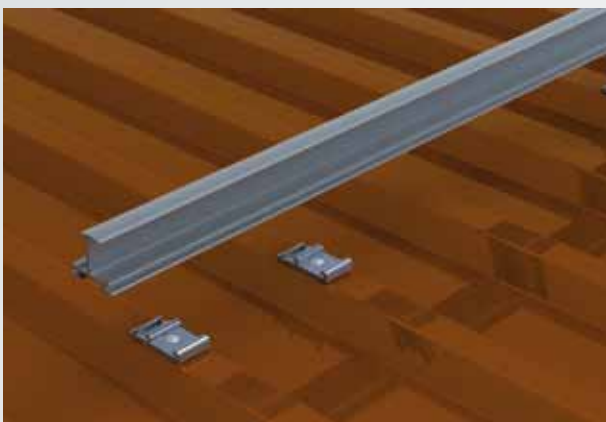
Flexible mounting with even less roof penetration.



Minimal tool use, little material and few working hours: It takes a few steps to mount TRI-STAND on the trapezoidal sheet roof.



Reliable SafeClick elements are riveted directly onto the trapezoidal sheet roof. The number is selected depending on roof load, roof thickness and ledge spacing.



Insertion profiles are clicked onto the SafeClick and will not be rigidly connected with the roof. This prevents damage due to thermal expansion.



Finally, the modules are simply inserted into the profiles. They are soundly held by their inherent weight, and screwing tight is completely unnecessary.

The optimum mounting solution for any type of roof.

TRITEC mounting systems combine more than 25 years of photovoltaic experience.

Our own products TRI-STAND, TRITEC PMT, TRI-VENT and TRI-ROOF offer the ideal mounting solution for any type of roof. We attach great importance both to the high-quality processing of the components and to the stability of the substructure.

More information and download of instructions at www.tritec-energy.com